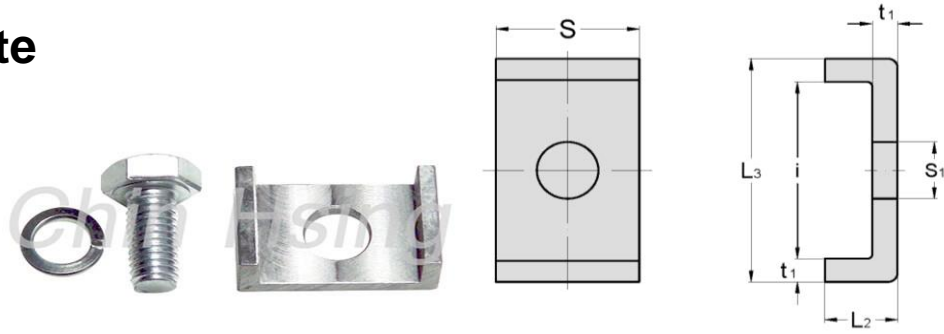


## 鎖片(定位片)



CHIN SING  
進興精工

# Lock Plate

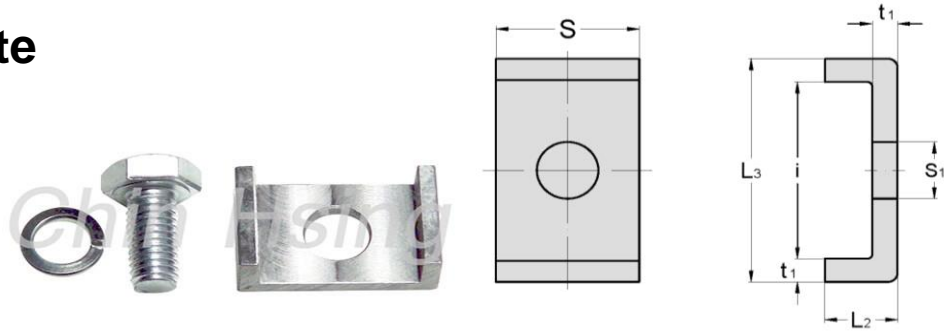


**AL**  
**MS 31**

Lock Nuts NO.	t1 mm	S mm	L2 mm	S1 mm	i mm	L3 mm	Suitable Locknuts No.	Weight per 100 pcs kg
AL44	4	20	12	9	22.5	30.5	AN44	2.6
AL48	4	20	12	9	22.5	30.5	AN48	2.6
AL52	4	24	12	12	25.5	33.5	AN52	3.39
AL56	4	24	12	12	25.5	33.5	AN56	3.39
AL60	4	24	12	12	30.5	38.5	AN60	3.79
AL64	5	24	15	12	31	41	AN64	5.35
AL68	5	28	15	14	38	48	AN68	6.65
AL72	5	28	15	14	38	48	AN72	6.65
AL76	5	32	15	14	40	50	AN76	7.96
AL80	5	32	15	18	45	55	AN80	8.2
AL84	5	32	15	18	45	55	AN84	8.2
AL88	5	36	15	18	43	53	AN88	9
AL92	5	36	15	18	43	53	AN92	9
AL96	5	36	15	18	53	63	AN96	10.4
AL100	5	40	15	18	45	55	AN100	10.5

NOTE: The specifications of AL can be applied for MS31.

# Lock Plate

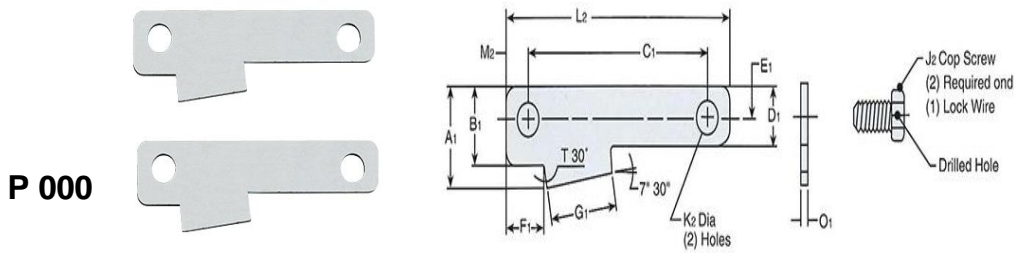


**ALL  
MS 30**

Lock Nuts NO.	t1 mm	S mm	L2 mm	S1 mm	i mm	L3 mm	Suitable Locknuts No.	Weight per 100 pcs kg
ALL44	4	20	12	7	13.5	21.5	ANL44	2.12
ALL48	4	20	12	9	17.5	25.5	ANL48	2.29
ALL52	4	20	12	9	17.5	25.5	ANL52	2.29
ALL56	4	24	12	9	17.5	25.5	ANL56	2.92
ALL60	4	24	12	9	20.5	28.5	ANL60	3.16
ALL64	5	24	15	9	21	31	ANL64	4.56
ALL68	5	24	15	9	21	31	ANL68	4.56
ALL72	5	28	15	9	20	30	ANL72	5.03
ALL76	5	28	15	12	24	34	ANL76	5.28
ALL80	5	28	15	12	24	34	ANL80	5.28
ALL84	5	32	15	12	24	34	ANL84	6.11
ALL88	5	32	15	14	28	38	ANL88	6.45
ALL92	5	32	15	14	28	38	ANL92	6.45
ALL96	5	36	15	14	28	38	ANL96	7.29
ALL100	5	36	15	14	28	38	ANL100	7.29

NOTE: The specifications of ALL can be applied for MS30.

## Lock Plate Dimensions(Inches)



### Dimensions in inches

Plate Number	Thickness	Height	Hole Center C1 max	D1 max	E1 max	Key Location		Capscrew Size J2	Hole Size K2 min	Length		
	Q1 min	A1 max				B1 max	F1 max			G1 max	L2 min	M2 max
P-48	0.125	1.125	0.750	2.711	0.625	0.312	0.625	1	5/16-18 x 5/8	0.375	3.5	0.406
P-52	0.125	1.156	0.813	2.938	0.656	0.352	0.656	1.063	5/16-18 x 5/8	0.375	3.75	0.406
P-56	0.125	1.156	0.781	3.148	0.625	0.334	0.656	1.125	5/16-18 x 5/8	0.375	3.938	0.406
P-60	0.125	1.375	0.969	3.407	0.844	0.46	0.844	1.25	3/8-16 x 3/4	0.438	4.344	0.469
P-64	0.125	1.312	1.000	3.601	0.781	0.424	0.812	1.313	3/8-16 x 3/4	0.438	4.531	0.469
P-68	0.125	1.25	1.094	3.828	0.781	0.394	0.812	1.375	3/8-16 x 3/4	0.438	4.75	0.469
P-72	0.125	1.25	1.094	4.022	0.75	0.394	0.812	1.375	3/8-16 x 3/4	0.438	4.906	0.438
P-76	0.125	1.5	1.094	4.281	0.906	0.461	1.125	1.375	1/2-13 x 7/8	0.562	5.438	0.594
P-80	0.125	1.469	1.094	4.475	0.906	0.493	1.031	1.5	1/2-13 x 7/8	0.562	5.719	0.625
P-84	0.125	1.562	1.188	4.701	0.938	0.495	1.062	1.5	1/2-13 x 7/8	0.562	5.812	0.562
P-88	0.125	1.656	1.281	4.96	1.032	0.531	1.219	1.688	5/8-11 x 1	0.688	6.25	0.625
P-92	0.125	1.656	1.343	5.186	1.156	0.593	1.188	1.688	5/8-11 x 1	0.688	6.422	0.625
P-96	0.156	1.562	1.312	5.364	1.063	0.563	1.406	1.688	5/8-11 x 1 1/4	0.688	6.594	0.625
P-500	0.156	1.688	1.281	5.606	1.125	0.563	1.281	1.688	5/8-11 x 1 1/4	0.688	6.844	0.625
P-530	0.156	2.125	1.563	6.06	1.375	0.563	1.5	1.688	5/8-11 x 1 1/4	0.688	7.312	0.625
P-560	0.156	1.875	1.344	6.254	1.125	0.563	1.5	1.688	5/8-11 x 1 1/4	0.688	7.5	0.625
P-600	0.156	2	1.438	6.723	1.25	0.563	1.562	1.688	5/8-11 x 1 1/4	0.688	8	0.625
P-630	0.156	2.094	1.656	7.062	1.438	0.718	1.562	1.875	5/8-11 x 1 1/4	0.688	8.312	0.625
P-670	0.156	2.109	1.688	7.51	1.438	0.688	1.719	1.875	5/8-11 x 1 1/4	0.688	8.75	0.625
P-710	0.156	2.188	1.688	7.936	1.438	0.688	1.875	1.875	5/8-11 x 1 1/4	0.688	9.188	0.625
P-750	0.188	2.188	1.688	8.353	1.438	0.688	1.875	1.875	5/8-11 x 1 1/4	0.688	9.594	0.625
P-800	0.188	2.219	1.688	8.97	1.438	0.688	2.125	1.875	5/8-11 x 1 1/4	0.688	10.219	0.625
P-850	0.188	2.469	1.906	9.456	1.625	0.813	2.344	1.875	3/4-10 x 1 1/2	0.812	10.938	0.75
P-900	0.188	2.438	1.937	10.01	1.593	0.75	2.5	1.875	3/4-10 x 1 1/2	0.812	11.5	0.75
P-950	0.188	2.531	1.875	10.525	1.593	0.75	2.625	1.875	3/4-10 x 1 1/2	0.812	12	0.75