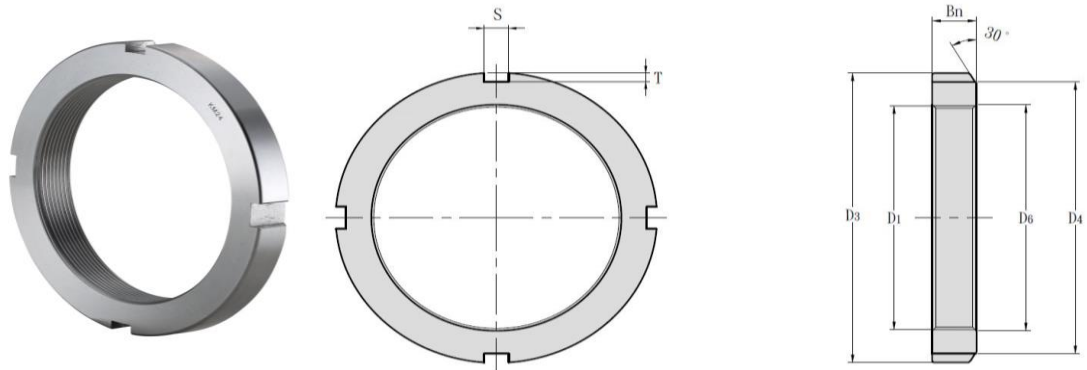




軸承鎖緊螺帽



Lock Nuts



AN

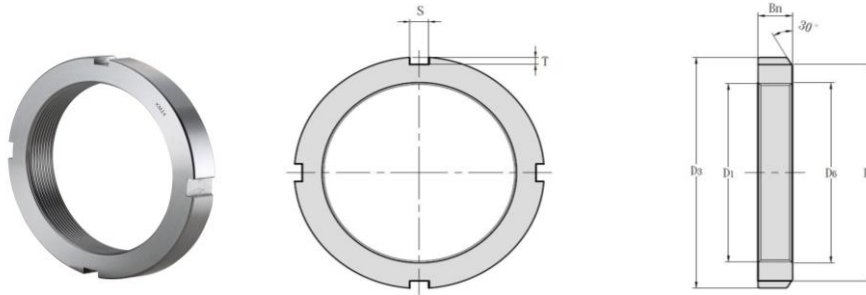
Lock Nuts NO.	D ₁ Thread	D ₃ mm	D ₄ mm	B _n mm	S mm	T mm	D ₆ mm	Weight kg	Lock Washers No.
AN00	M10*0.75	18	13.5	4	3	2	10.5	0.005	AW00
AN01	M12*1.0	22	17	4	3	2	12.5	0.007	AW01
AN02	M15*1.0	25	21	5	4	2	15.5	0.010	AW02
AN03	M17*1.0	28	24	5	4	2	17.5	0.013	AW03
AN04	M20*1.0	32	26	6	4	2	20.5	0.019	AW04
AN05	M25*1.5	38	32	7	5	2	25.8	0.025	AW05
AN06	M30*1.5	45	38	7	5	2	30.8	0.043	AW06
AN07	M35*1.5	52	44	8	5	2	35.8	0.053	AW07
AN08	M40*1.5	58	50	9	6	2.5	40.8	0.085	AW08
AN09	M45*1.5	65	56	10	6	2.5	45.8	0.119	AW09
AN10	M50*1.5	70	61	11	6	2.5	50.8	0.148	AW10
AN11	M55*2.0	75	67	11	7	3	56	0.158	AW11
AN12	M60*2.0	80	73	11	7	3	61	0.174	AW12
AN13	M65*2.0	85	79	12	7	3	66	0.203	AW13
AN14	M70*2.0	92	85	12	8	3.5	71	0.242	AW14
AN15	M75*2.0	98	90	13	8	3.5	76	0.287	AW15
AN16	M80*2.0	105	95	15	8	3.5	81	0.397	AW16
AN17	M85*2.0	110	102	16	8	3.5	86	0.451	AW17
AN18	M90*2.0	120	108	16	10	4	91	0.556	AW18
AN19	M95*2.0	125	113	17	10	4	96	0.658	AW19
AN20	M100*2.0	130	120	18	10	4	101	0.698	AW20
AN21	M105*2.0	140	126	18	12	5	106	0.845	AW21
AN22	M110*2.0	145	133	19	12	5	111	0.965	AW22
AN23	M115*2.0	150	137	19	12	5	116	1.010	AW23
AN24	M120*2.0	155	138	20	12	5	121	1.080	AW24
AN25	M125*2.0	160	148	21	12	5	126	1.190	AW25
AN26	M130*2.0	165	149	21	12	5	131	1.250	AW26
AN27	M135*2.0	175	160	22	14	6	136	1.550	AW27
AN28	M140*2.0	180	160	22	14	6	141	1.560	AW28
AN29	M145*2.0	190	171	24	14	6	146	2.000	AW29
AN30	M150*2.0	195	171	24	14	6	151	2.030	AW30
AN31	M155*3.0	200	182	25	16	7	156.5	2.210	AW31
AN32	M160*3.0	210	182	25	16	7	161.5	2.590	AW32
AN33	M165*3.0	210	193	26	16	7	166.5	2.430	AW33
AN34	M170*3.0	220	193	26	16	7	171.5	2.800	AW34
AN36	M180*3.0	230	203	27	18	8	181.5	3.070	AW36
AN38	M190*3.0	240	214	28	18	8	191.5	3.390	AW38
AN40	M200*3.0	250	226	29	18	8	201.5	3.690	AW40

M means metric thread and the digits are major diameter of thread and pitch.

AN00-AN40 also available for 304 stainless steel.

NOTE: The specifications of AN can be applied for KM.

Lock Nuts



KM

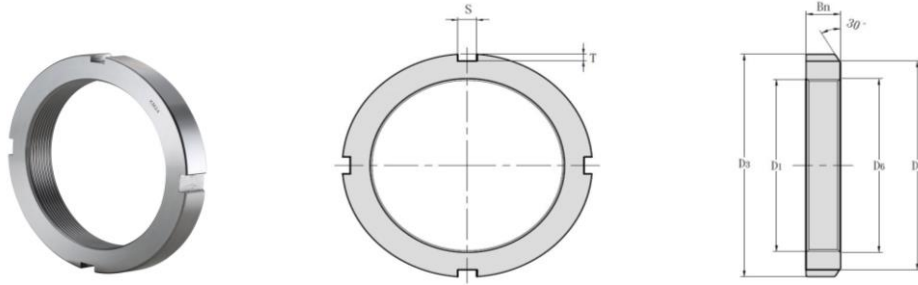
Lock Nuts NO.	D1	D3	D4	Bn	S	T	D6	Weight kg	Lock Washers No.
	Thread	mm	mm	mm	mm	mm	mm		
KM00	M10*0.75	18	13.5	4	3	2	10.5	0.005	MB00
KM01	M12*1.0	22	17	4	3	2	12.5	0.007	MB01
KM02	M15*1.0	25	21	5	4	2	15.5	0.010	MB02
KM03	M17*1.0	28	24	5	4	2	17.5	0.013	MB03
KM04	M20*1.0	32	26	6	4	2	20.5	0.019	MB04
KM05	M25*1.5	38	32	7	5	2	25.8	0.025	MB05
KM06	M30*1.5	45	38	7	5	2	30.8	0.043	MB06
KM07	M35*1.5	52	44	8	5	2	35.8	0.053	MB07
KM08	M40*1.5	58	50	9	6	2.5	40.8	0.085	MB08
KM09	M45*1.5	65	56	10	6	2.5	45.8	0.119	MB09
KM10	M50*1.5	70	61	11	6	2.5	50.8	0.148	MB10
KM11	M55*2.0	75	67	11	7	3	56	0.158	MB11
KM12	M60*2.0	80	73	11	7	3	61	0.174	MB12
KM13	M65*2.0	85	79	12	7	3	66	0.203	MB13
KM14	M70*2.0	92	85	12	8	3.5	71	0.242	MB14
KM15	M75*2.0	98	90	13	8	3.5	76	0.287	MB15
KM16	M80*2.0	105	95	15	8	3.5	81	0.397	MB16
KM17	M85*2.0	110	102	16	8	3.5	86	0.451	MB17
KM18	M90*2.0	120	108	16	10	4	91	0.556	MB18
KM19	M95*2.0	125	113	17	10	4	96	0.658	MB19
KM20	M100*2.0	130	120	18	10	4	101	0.698	MB20
KM21	M105*2.0	140	126	18	12	5	106	0.845	MB21
KM22	M110*2.0	145	133	19	12	5	111	0.965	MB22
KM23	M115*2.0	150	137	19	12	5	116	1.010	MB23
KM24	M120*2.0	155	138	20	12	5	121	1.080	MB24
KM25	M125*2.0	160	148	21	12	5	126	1.190	MB25
KM26	M130*2.0	165	149	21	12	5	131	1.250	MB26
KM27	M135*2.0	175	160	22	14	6	136	1.550	MB27
KM28	M140*2.0	180	160	22	14	6	141	1.560	MB28
KM29	M145*2.0	190	171	24	14	6	146	2.000	MB29
KM30	M150*2.0	195	171	24	14	6	151	2.030	MB30
KM31	M155*3.0	200	182	25	16	7	156.5	2.210	MB31
KM32	M160*3.0	210	182	25	16	7	161.5	2.590	MB32
KM33	M165*3.0	210	193	26	16	7	166.5	2.430	MB33
KM34	M170*3.0	220	193	26	16	7	171.5	2.800	MB34
KM36	M180*3.0	230	203	27	18	8	181.5	3.070	MB36
KM38	M190*3.0	240	214	28	18	8	191.5	3.390	MB38
KM40	M200*3.0	250	226	29	18	8	201.5	3.690	MB40

M means metric thread and the digits are major diameter of thread and pitch.

KM00-KM40 also available for 304 stainless steel.

NOTE: The specifications of KM can be applied for AN.

Lock Nuts



ANL

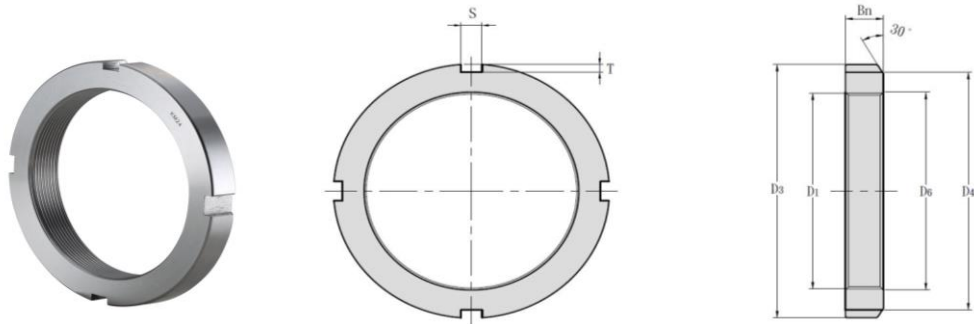
Lock Nuts NO.	D1	D3	D4	Bn	S	T	D6	Weight	Lock Washers
	Thread	mm	mm	mm	mm	mm	mm	kg	No.
ANL24	M120*2.0	145	135	20	12	5	121	0.78	AWL24
ANL26	M130*2.0	155	145	21	12	5	131	0.88	AWL26
ANL28	M140*2.0	165	155	22	14	5	141	0.99	AWL28
ANL30	M150*2.0	180	170	24	14	5	151	1.38	AWL30
ANL32	M160*3.0	190	180	25	16	5	161.5	1.56	AWL32
ANL34	M170*3.0	200	190	26	16	5	171.5	1.72	AWL34
ANL36	M180*3.0	210	200	27	18	5	181.5	1.95	AWL36
ANL38	M190*3.0	220	210	28	18	5	191.5	2.08	AWL38
ANL40	M200*3.0	240	222	29	18	8	201.5	2.98	AWL40

M means metric thread and the digits are major diameter of thread and pitch.

ANL24-ANL40 also available for 304 stainless steel.

NOTE: The specifications of ANL can be applied for KML.

Lock Nuts



KML

Lock Nuts NO.	D1	D3	D4	Bn	S	T	D6	Weight	Lock Washers
	Thread	mm	mm	mm	mm	mm	mm	kg	No.
KML24	M120*2.0	145	135	20	12	5	121	0.78	MBL24
KML26	M130*2.0	155	145	21	12	5	131	0.88	MBL26
KML28	M140*2.0	165	155	22	14	5	141	0.99	MBL28
KML30	M150*2.0	180	170	24	14	5	151	1.38	MBL30
KML32	M160*3.0	190	180	25	16	5	161.5	1.56	MBL32
KML34	M170*3.0	200	190	26	16	5	171.5	1.72	MBL34
KML36	M180*3.0	210	200	27	18	5	181.5	1.95	MBL36
KML38	M190*3.0	220	210	28	18	5	191.5	2.08	MBL38
KML40	M200*3.0	240	222	29	18	8	201.5	2.98	MBL40

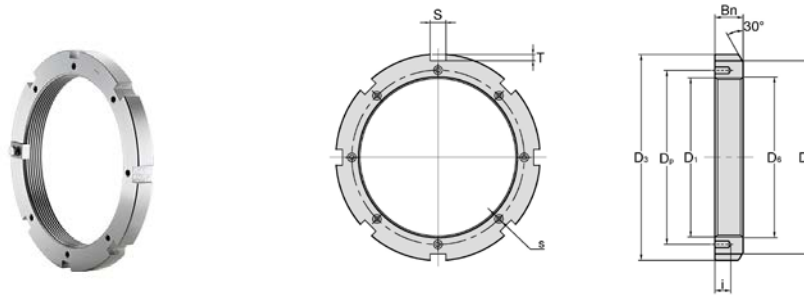
M means metric thread and the digits are major diameter of thread and pitch.

KML24-KML40 also available for 304 stainless steel.

NOTE: The specifications of KML can be applied for ANL.

Lock Nuts

AN
HM 31

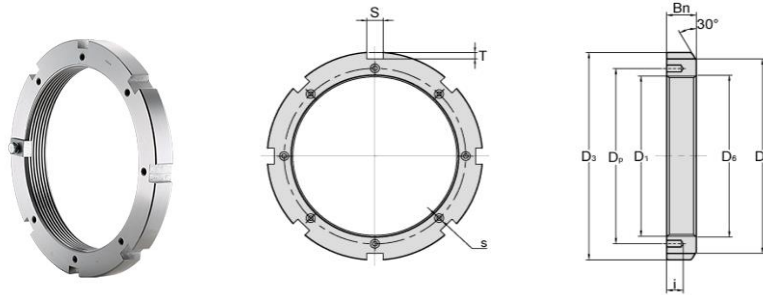


Lock Nuts NO.	D1	D3	D4	S	T	D6	Bn	i	Tapped Holes	Dp	Suitable	Weight
	Thread ¹⁾	mm	mm	mm	mm	mm	mm	mm	Threads	mm	Lock plates No.	
AN44	Tr220*4	280	250	20	10	222	32	15	M8*1.25	238	AL44	5.2
AN48	Tr240*4	300	270	20	10	242	34	15	M8*1.25	258	AL48	5.95
AN52	Tr260*4	330	300	24	12	262	36	18	M10*1.5	281	AL52	8.05
AN56	Tr280*4	350	320	24	12	282	38	18	M10*1.5	301	AL56	9.05
AN60	Tr300*4	380	340	24	12	302	40	18	M10*1.5	326	AL60	11.8
AN64	Tr320*5	400	360	24	12	322.5	42	18	M10*1.5	345	AL64	13.1
AN68	Tr340*5	440	400	28	15	342.5	55	21	M12*1.75	372	AL68	23.1
AN72	Tr360*5	460	420	28	15	362.5	58	21	M12*1.75	392	AL72	25.1
AN76	Tr380*5	490	440	32	18	382.5	60	21	M12*1.75	414	AL76	30.9
AN80	Tr400*5	520	460	32	18	402.5	62	27	M16*2	439	AL80	36.9
AN84	Tr420*5	540	490	32	18	422.5	70	27	M16*2	459	AL84	43.5
AN88	Tr440*5	560	510	36	20	442.5	70	27	M16*2	477	AL88	45.3
AN92	Tr460*5	580	540	36	20	462.5	75	27	M16*2	497	AL92	50.4
AN96	Tr480*5	620	560	36	20	482.5	75	27	M16*2	527	AL96	62.2
AN100	Tr500*5	630	580	40	23	502.5	80	27	M16*2	539	AL100	63.3

Tr means 30°, trapezoid thread and the digits are major diameter of thread and pitch.

Note: The specifications of AN can be applied for HM31.

Lock Nuts



**ANL
HM 30**

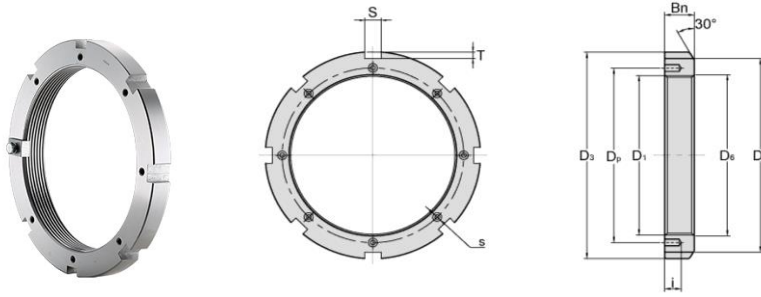
Lock Nuts NO.	D1	D3	D4	S	T	D6	Bn	i	Tapped Holes	Dp	Suitable Lock plates	Weight
	Thread ¹⁾	mm	mm	mm	mm	mm	mm	mm	Threads	mm	No.	kg
ANL44	Tr220*4	260	242	20	9	222	30	12	M6*1	229	ALL44	3.09
ANL48	Tr240*4	290	270	20	10	242	34	15	M8*1.25	253	ALL48	5.16
ANL52	Tr260*4	310	290	20	10	262	34	15	M8*1.25	273	ALL52	5.67
ANL56	Tr280*4	330	310	24	10	282	38	15	M8*1.25	293	ALL56	6.78
ANL60	Tr300*4	360	336	24	12	302	42	15	M8*1.25	316	ALL60	9.62
ANL64	Tr320*5	380	356	24	12	322.5	42	15	M8*1.25	335	ALL64	9.94
ANL68	Tr340*5	400	376	24	12	342.5	45	15	M8*1.25	355	ALL68	11.7
ANL72	Tr360*5	420	394	28	13	362.5	45	15	M8*1.25	374	ALL72	12
ANL76	Tr380*5	450	422	28	14	382.5	48	18	M10*1.5	398	ALL76	14.9
ANL80	Tr400*5	470	442	28	14	402.5	52	18	M10*1.5	418	ALL80	16.9
ANL84	Tr420*5	490	462	32	14	422.5	52	18	M10*1.5	438	ALL84	17.4
ANL88	Tr440*5	520	490	32	15	442.5	60	21	M12*1.75	462	ALL88	26.2
ANL92	Tr460*5	540	510	32	15	462.5	60	21	M12*1.75	482	ALL92	29.6
ANL96	Tr480*5	560	530	36	15	482.5	60	21	M12*1.75	502	ALL96	28.3
ANL100	Tr500*5	580	550	36	15	502.5	68	21	M12*1.75	522	ALL100	33.6

Tr means 30°, trapezoid thread and the digits are major diameter of thread and pitch.

NOTE: The specifications of ANL can be applied for HM30.

Lock Nuts

HM 30
ANL



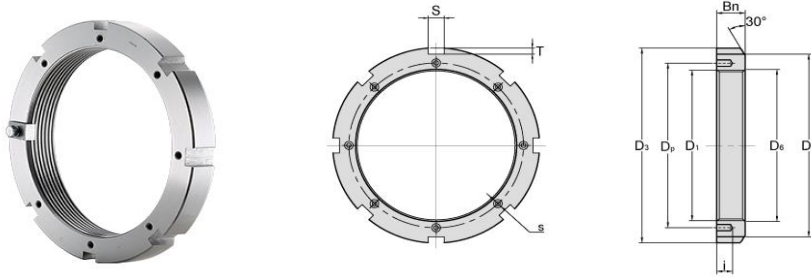
Lock Nuts NO.	D1	D3	D4	S	T	D6	Bn	i	Tapped Holes	Dp	Suitable Lock plates	Weight
	Thread ¹⁾	mm	mm	mm	mm	mm	mm	mm	Threads	mm	No.	kg
HM3044	Tr220*4	260	242	20	9	222	30	12	M6*1	229	ALL44	3.09
HM3048	Tr240*4	290	270	20	10	242	34	15	M8*1.25	253	ALL48	5.16
HM3052	Tr260*4	310	290	20	10	262	34	15	M8*1.25	273	ALL52	5.67
HM3056	Tr280*4	330	310	24	10	282	38	15	M8*1.25	293	ALL56	6.78
HM3060	Tr300*4	360	336	24	12	302	42	15	M8*1.25	316	ALL60	9.62
HM3064	Tr320*5	380	356	24	12	322.5	42	15	M8*1.25	335	ALL64	9.94
HM3068	Tr340*5	400	376	24	12	342.5	45	15	M8*1.25	355	ALL68	11.7
HM3072	Tr360*5	420	394	28	13	362.5	45	15	M8*1.25	374	ALL72	12
HM3076	Tr380*5	450	422	28	14	382.5	48	18	M10*1.5	398	ALL76	14.9
HM3080	Tr400*5	470	442	28	14	402.5	52	18	M10*1.5	418	ALL80	16.9
HM3084	Tr420*5	490	462	32	14	422.5	52	18	M10*1.5	438	ALL84	17.4
HM3088	Tr440*5	520	490	32	15	442.5	60	21	M12*1.75	462	ALL88	26.2
HM3092	Tr460*5	540	510	32	15	462.5	60	21	M12*1.75	482	ALL92	29.6
HM3096	Tr480*5	560	530	36	15	482.5	60	21	M12*1.75	502	ALL96	28.3
HM30100	Tr500*5	580	550	36	15	502.5	68	21	M12*1.75	522	ALL100	33.6

Tr means 30°, trapezoid thread and the digits are major diameter of thread and pitch.

NOTE: The specifications of HM30 can be applied for ANL.

Lock Nuts

HM 31 AN



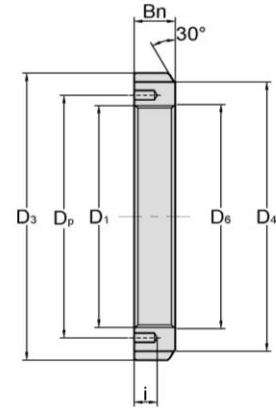
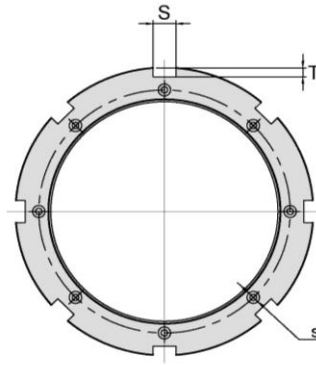
Lock Nuts NO.	D1	D3	D4	S	T	D6	Bn	i	Tapped Holes	Dp	Suitable Lock plates	Weight
	Thread ¹⁾	mm	mm	mm	mm	mm	mm	mm	Threads	mm	No.	kg
HM3144	Tr220*4	280	250	20	10	222	32	15	M8*1.25	238	AL44	5.2
HM3148	Tr240*4	300	270	20	10	242	34	15	M8*1.25	258	AL48	5.95
HM3152	Tr260*4	330	300	24	12	262	36	18	M10*1.5	281	AL52	8.05
HM3156	Tr280*4	350	320	24	12	282	38	18	M10*1.5	301	AL56	9.05
HM3160	Tr300*4	380	340	24	12	302	40	18	M10*1.5	326	AL60	11.8
HM3164	Tr320*5	400	360	24	12	322.5	42	18	M10*1.5	345	AL64	13.1
HM3168	Tr340*5	440	400	28	15	342.5	55	21	M12*1.75	372	AL68	23.1
HM3172	Tr360*5	460	420	28	15	362.5	58	21	M12*1.75	392	AL72	25.1
HM3176	Tr380*5	490	440	32	18	382.5	60	21	M12*1.75	414	AL76	30.9
HM3180	Tr400*5	520	460	32	18	402.5	62	27	M16*2	439	AL80	36.9
HM3184	Tr420*5	540	490	32	18	422.5	70	27	M16*2	459	AL84	43.5
HM3188	Tr440*5	560	510	36	20	442.5	70	27	M16*2	477	AL88	45.3
HM3192	Tr460*5	580	540	36	20	462.5	75	27	M16*2	497	AL92	50.4
HM3196	Tr480*5	620	560	36	20	482.5	75	27	M16*2	527	AL96	62.2
HM31100	Tr500*5	630	580	40	23	502.5	80	27	M16*2	539	AL100	63.3

Tr means 30°, trapezoid thread and the digits are major diameter of thread and pitch.

Note: The specifications of AN can be applied for HM31.

Lock Nuts

HML
HNL

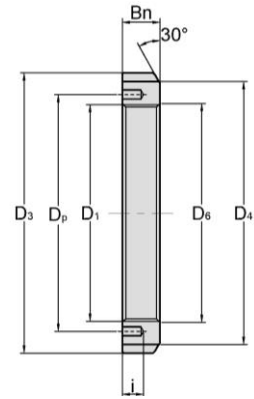
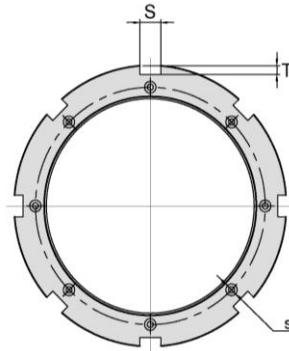


Lock Nuts NO.	D1 Thread ¹⁾	D3 mm	D4 mm	Bn mm	S mm	T mm	D6 mm	Weight kg
HML41	Tr205*4	250	232	30	18	8	207	3.43
HML43	Tr215*4	260	242	30	20	9	217	3.72
HML47	Tr235*4	280	262	34	20	9	237	4.6
HML52	Tr260*4	310	290	34	20	10	262	5.8
HML56	Tr280*4	330	310	38	24	10	282	6.72
HML60	Tr300*4	360	336	42	24	12	302	9.6
HML64	Tr320*5	380	356	42	24	12	322.5	10.3
HML69	Tr345*5	410	384	45	28	13	347.5	11.5
HML72	Tr360*5	420	394	45	28	13	362.5	12.1
HML73	Tr365*5	430	404	48	28	13	367.5	14.2
HML76	Tr380*5	450	422	48	28	14	382.5	16
HML77	Tr385*5	450	422	48	28	14	387.5	15
HML80	Tr400*5	470	442	52	28	14	402.5	18.5
HML82	Tr410*5	480	452	52	32	14	412.5	19
HML84	Tr420*5	490	462	52	32	14	422.5	19.4
HML86	Tr430*5	500	472	52	32	14	432.5	19.8
HML88	Tr440*5	520	490	60	32	15	442.5	27
HML90	Tr450*5	520	490	60	32	15	452.5	27.5
HML92	Tr460*5	540	510	60	32	15	462.5	28
HML94	Tr470*5	540	510	60	32	15	472.5	28.5
HML96	Tr480*5	560	530	60	36	15	482.5	29.5
HML98	Tr490*5	580	550	60	36	15	492.5	34
HML100	Tr500*5	580	550	68	36	15	502.5	35
HML104	Tr520*6	600	570	68	36	15	523	37
HML106	Tr530*6	630	590	68	40	20	533	47
HML108	Tr540*6	630	590	68	40	20	543	43.5

Tr means 30°, trapezoid thread and the digits are major diameter of thread and pitch
NOTE: The specifications of HML can be applied for HNL.

Lock Nuts

HM
HN



Lock Nuts NO.	D1 Thread ¹⁾	D3 mm	D4 mm	Bn mm	S mm	T mm	D6 mm	Weight kg
HM42	Tr210*4	270	238	30	20	10	212	4.75
HM44	Tr220*4	280	250	32	20	10	222	5.35
HM46	Tr230*4	290	260	34	20	10	232	5.8
HM48	Tr240*4	300	270	34	20	10	242	6.2
HM50	Tr250*4	320	290	36	20	10	252	7
HM52	Tr260*4	330	300	36	24	12	262	8.55
HM54	Tr270*4	340	310	38	24	12	272	9.2
HM56	Tr280*4	350	320	38	24	12	282	10
HM58	Tr290*4	370	330	40	24	12	292	11.8
HM60	Tr300*4	380	340	40	24	12	302	12
HM62	Tr310*5	390	350	42	24	12	312.5	13.4
HM64	Tr320*5	400	360	42	24	12	322.5	13.5
HM66	Tr330*5	420	380	52	28	15	332.5	20.4
HM68	Tr340*5	440	400	55	28	15	342.5	24.5
HM70	Tr350*5	450	410	55	28	15	352.5	25.2
HM72	Tr360*5	460	420	58	28	15	362.5	27.5
HM74	Tr370*5	470	430	58	28	15	372.5	28.2
HM76	Tr380*5	490	440	60	32	18	382.5	33.5
HM80	Tr400*5	520	460	62	32	18	402.5	40
HM84	Tr420*5	540	490	70	32	18	422.5	46.9
HM88	Tr440*5	560	510	70	36	20	442.5	48.5
HM92	Tr460*5	580	540	75	36	20	462.5	55
HM96	Tr480*5	620	560	75	36	20	482.5	67
HM100	Tr500*5	630	590	80	40	23	502.5	69
HM102	Tr510*6	650	590	80	40	23	513	75
HM106	Tr530*6	670	610	80	40	23	533	78
HM110	Tr550*6	700	640	80	40	23	553	92.5

Tr means 30°, trapezoid thread and the digits are major diameter of thread and pitch.

NOTE: The specifications of HM can be applied for HN.